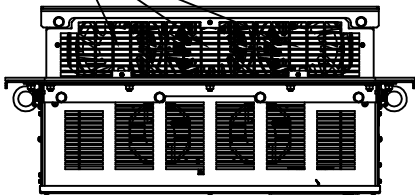
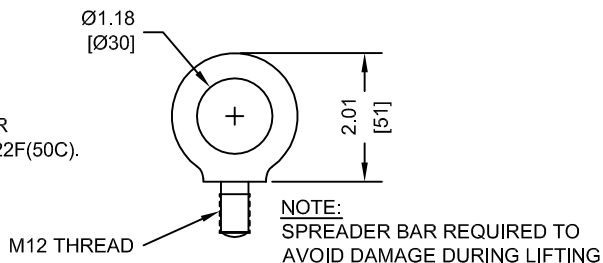


(3) EXTERNAL COOLING FANS



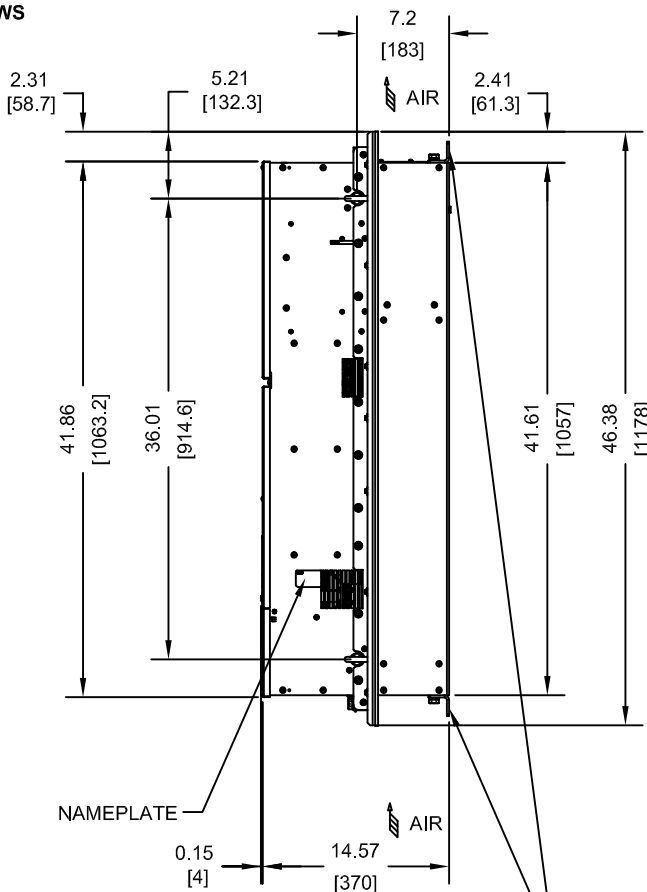
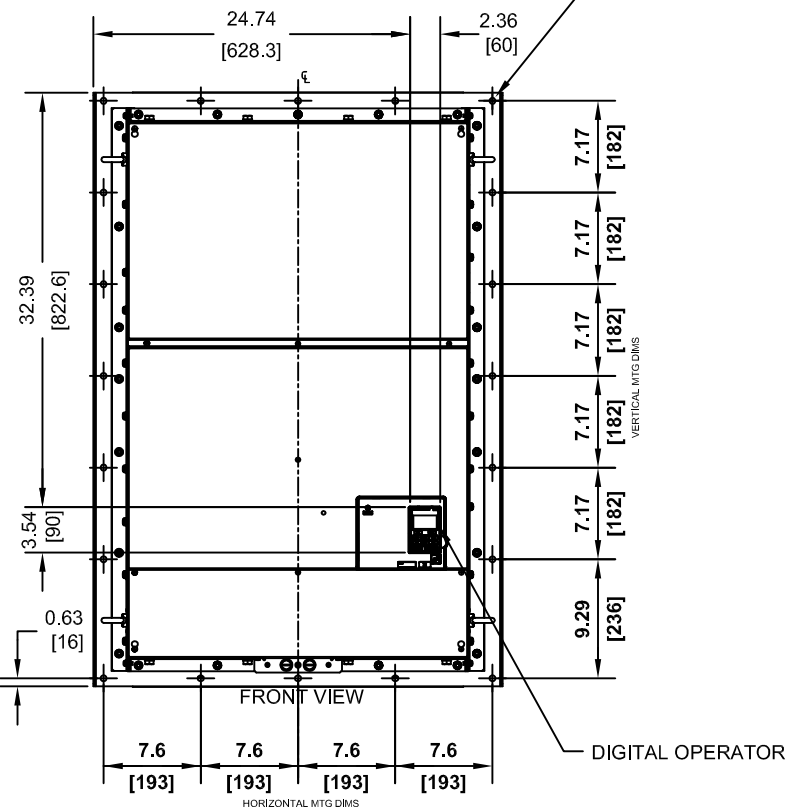
NOTE:
MAXIMUM SURROUNDING AIR
TEMPERATURE RATING IS 122F(50C).

LIFTING AND EYEBOLT DETAILS

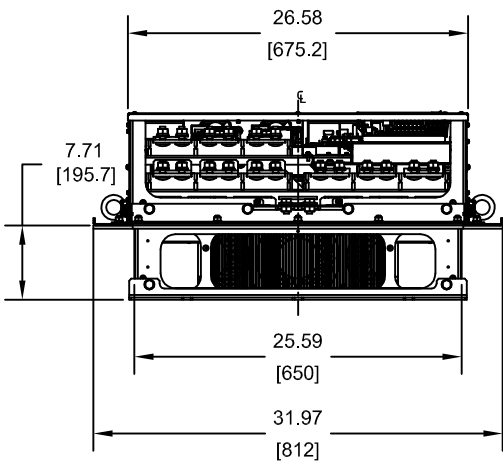


NOTE:
SPREADER BAR REQUIRED TO
AVOID DAMAGE DURING LIFTING

(20)-MOUNTING HOLES
FOR 3/8" [M10] SCREWS



(2)-MOUNTING BRACKETS
USED DURING TRANSPORT ONLY
REMOVE BEFORE INSTALLING



MODEL #	CIMR-AU	INPUT TYPE	VOLTAGE 3-PHASE (VAC)	OUTPUT CURRENT (A)		WEIGHT LBS (Kg)	HEAT LOSS (W)					
				ND	HD		ND (Fc=2kHz)			HD (Fc=2kHz)		
							INT	EXT	TOT	INT	EXT	TOT
4A0515UXX	6 PULSE	380/480	515	450	492 (223)	1668	4850	6518	1386	3972	5358	
4A0675UXX	6 PULSE		675	605	503 (228)	2037	4861	6898	1685	4191	5876	

NOTES:
XX DENOTES AA-ZZ

INT=INTERNAL COMPONENTS
EXT=EXTERNAL HEATSINK
TOT=TOTAL

FOR ADDITIONAL DETAILS AND SPECIFICATIONS, CONSULT MANUAL

TOLERANCES / REFERENCES:

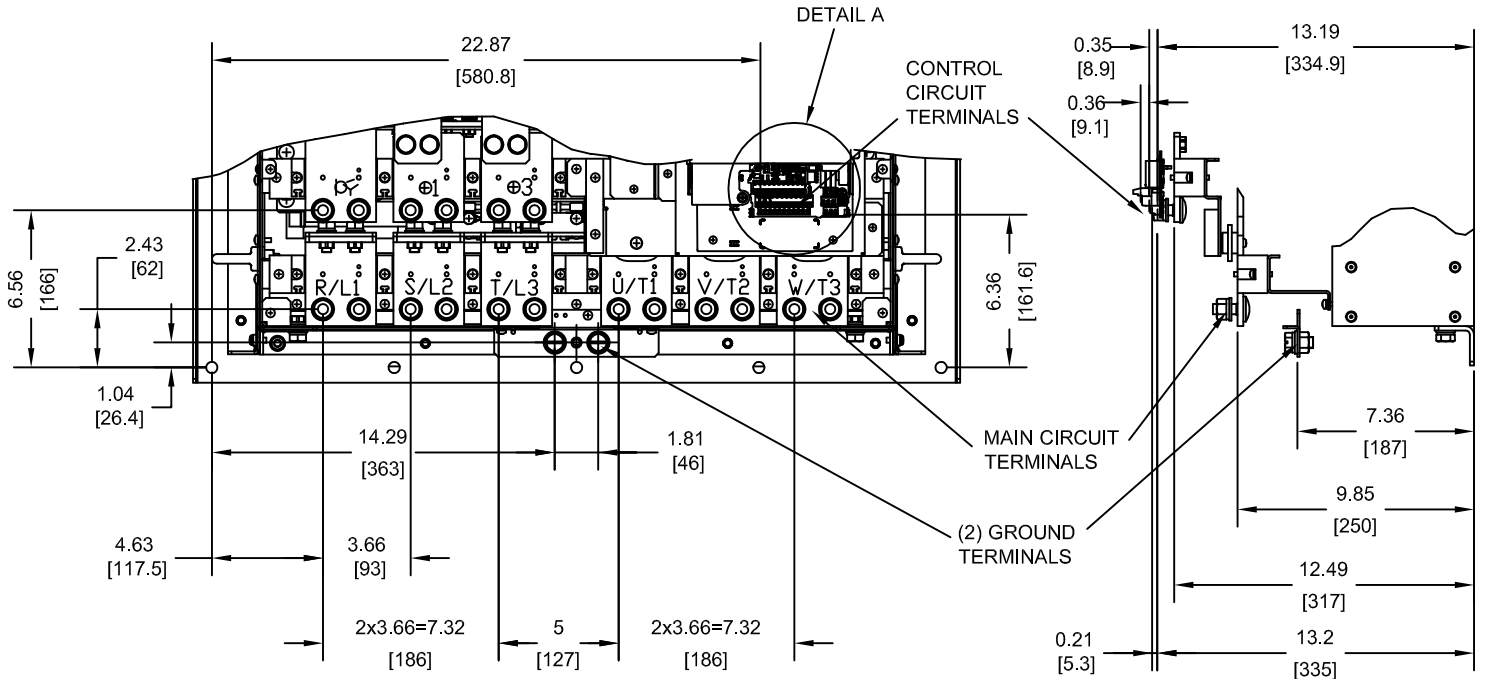


THIS DOCUMENT AND INFORMATION CONTAINED IN IT ARE CONFIDENTIAL, AND CANNOT BE COPIED OR DISCLOSED IN WHOLE OR IN PART WITHOUT THE EXPRESS WRITTEN CONSENT OF YASKAWA AMERICA, INC.

DRAWN: J. MATTAS	DATE 1-18-12	TITLE: A1000 DIMENSION DRAWING
CHECKED: J. PIOTROWSKI	DATE 2-10-12	FRAME SIZE 14A
TECH: J. BORJA	DATE 1-26-12	DESIGNED FOR IP54/TYP 12 ENCLOSURES
APPROVED: J. CAIRO	DATE 4-7-12	4A0515U & 4A0675U
ORIGINAL DESIGN: -	DATE -	SIZE: A
		REVISION: R01
		PAGE: 1 of 3
		DRAWING #: DD.A1K.FR14A.FLNG

UNITS: IN [mm]
SCALE: 1:15

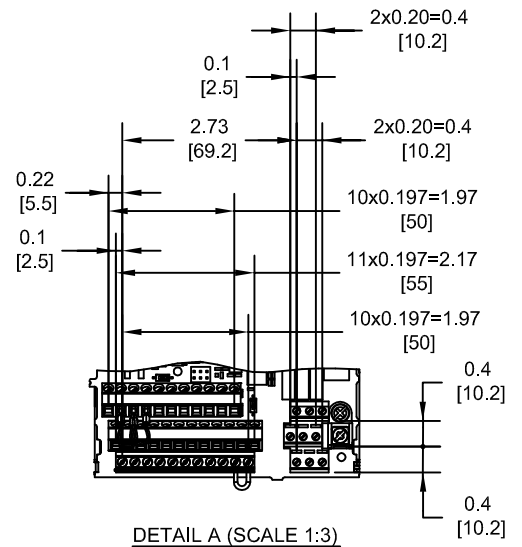
TERMINAL AND WIRING DETAILS (SCALE 1:8)



TERMINAL AND WIRE SPECIFICATIONS FOR MAIN CIRCUIT AND GROUND

MODEL # CIMR-AU	TERMINAL SYMBOL	TERMINAL SCREW	CLAMPING TORQUE lb.in.(N.m.)
4A0515U 4A0675U	R/L1, S/L2, T/L3	M12	283.2 TO 354.0 (32 TO 40)
	U/T1, V/T2, W/T3		
	⊖, ⊕1	M12	
	⊕3		
	⊕	M12	

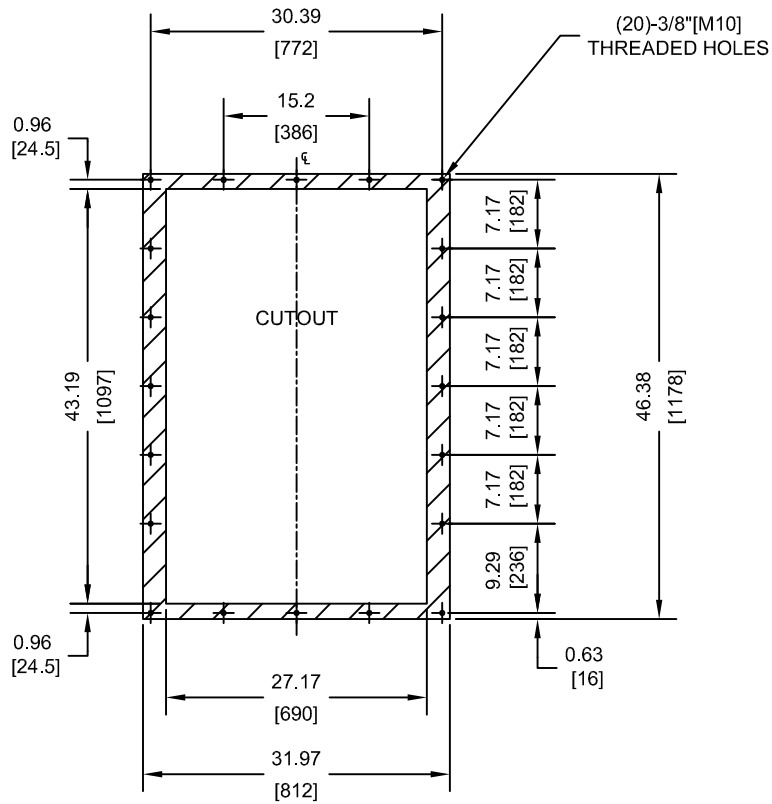
NOTE: REFER TO APPLICABLE CODES FOR PROPER WIRE TYPE AND SIZE



FOR ADDITIONAL DETAILS AND SPECIFICATIONS, CONSULT MANUAL

TOLERANCES / REFERENCES:			DRAWN: J. MATTAS DATE: 1-18-12	TITLE: A1000 DIMENSION DRAWING FRAME SIZE 14A DESIGNED FOR IP54/TYPE 12 ENCLOSURES 4A0515U & 4A0675U	
			CHECKED: J. PIOTROWSKI DATE: 2-10-12		
		TECH: J. BORJA DATE: 1-26-12			SIZE: A REVISION: R01 PAGE: 2 of 3
		APPROVED: J. CAIRO DATE: 4-7-12			DRAWING #: DD.A1K.FR14A.FLNG
UNITS: IN [mm]	SCALE: BY VIEW	THIS DOCUMENT AND INFORMATION CONTAINED IN IT ARE CONFIDENTIAL, AND CANNOT BE COPIED OR DISCLOSED IN WHOLE OR IN PART WITHOUT THE EXPRESS WRITTEN CONSENT OF YASKAWA AMERICA, INC.			


PANEL CUTOUT FOR EXTERNAL HEATSINK MOUNTING CONFIGURATION (SCALE 1:20)



NOTES:

1. CUTOUT TOLERANCES:
+/- 0.02IN (0.5MM)
2. EXPOSED HEATSINK DEPTH
D=7.71" MINUS PANEL THICKNESS
3. MIN. RECOMMENDED PANEL THICKNESS: 10 GA

FOR ADDITIONAL DETAILS AND SPECIFICATIONS, CONSULT MANUAL

TOLERANCES / REFERENCES:		 <p>YASKAWA</p> <p><i>THIS DOCUMENT AND INFORMATION CONTAINED IN IT ARE CONFIDENTIAL, AND CANNOT BE COPIED OR DISCLOSED IN WHOLE OR IN PART WITHOUT THE EXPRESS WRITTEN CONSENT OF YASKAWA AMERICA, INC.</i></p>	DRAWN: J. MATTAS 1-18-12	DATE: 1-18-12	TITLE: A1000 DIMENSION DRAWING FRAME SIZE 14A DESIGNED FOR IP54/TYPE 12 ENCLOSURES 4A0515U & 4A0675U		
			CHECKED: J. PIOTROWSKI 2-10-12	DATE: 2-10-12			
		TECH: J. BORJA 1-26-12	DATE: 1-26-12				
		APPROVED: J. CAIRO 4-7-12	DATE: 4-7-12				
		ORIGINAL DESIGN: -	DATE: -				
UNITS: IN [mm]	SCALE: BY VIEW			SIZE: A	REVISION: R01	PAGE: 3 of 3	
				DRAWING #: DD.A1K.FR14A.FLNG			